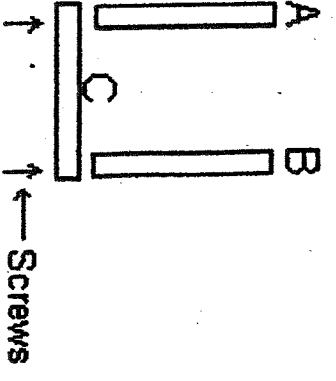
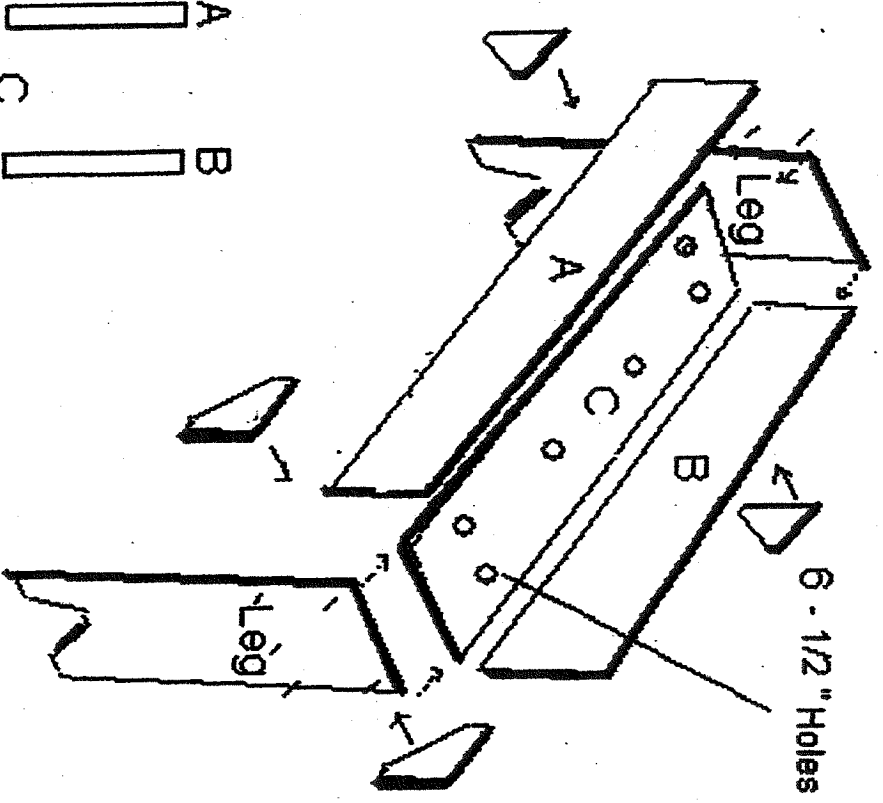
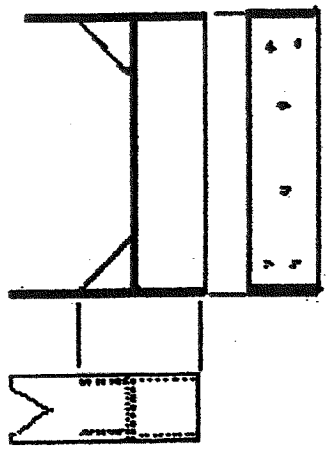


# Planter Box



Basic Box



**Material:**

- 14' - 1X10 White pine
- 36 - 2" Flat head deck screws

**Tools:**

- 1/8" drill bit
- Phillips Head Screwdriver
- Electric Drill
- Electric Skill Saw
- Carpenter Square
- 1/2" wood drill bit
- Tape Measure
- Pencil

Note : Can be constructed without braces, than dimension of box & legs can be larger.  
Teams! use your designing skills then detail & paint.

**Box Planter**