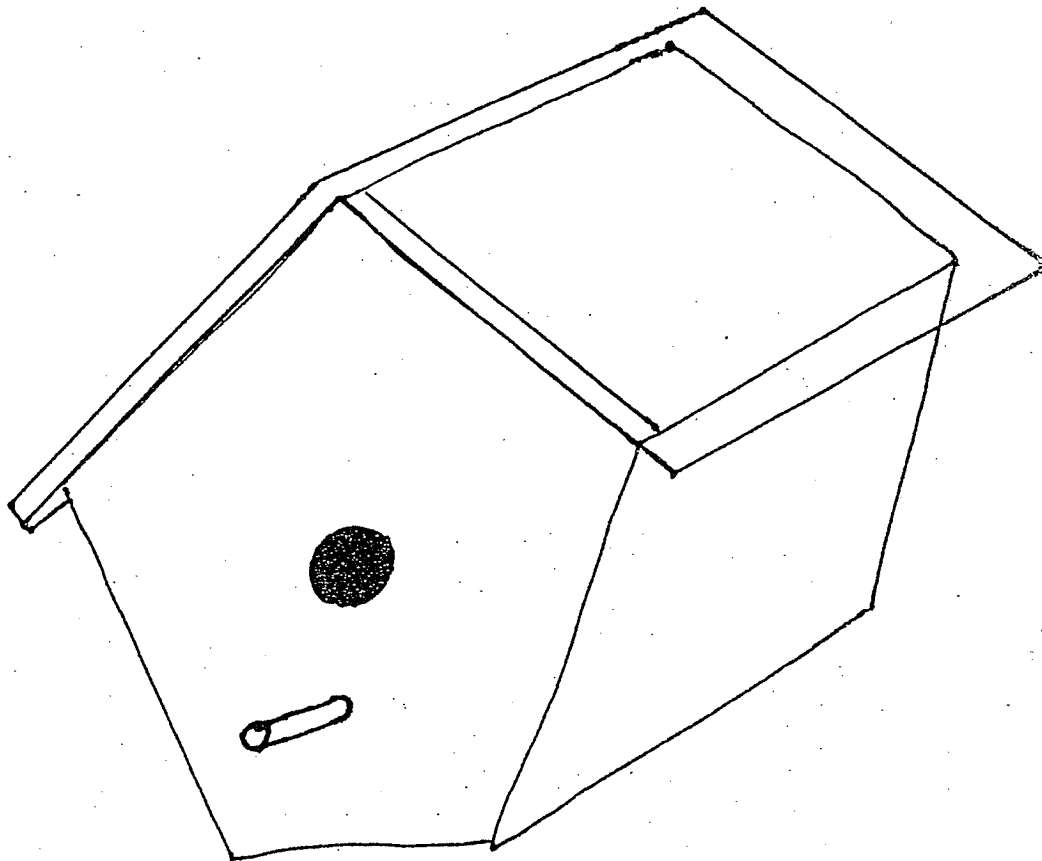
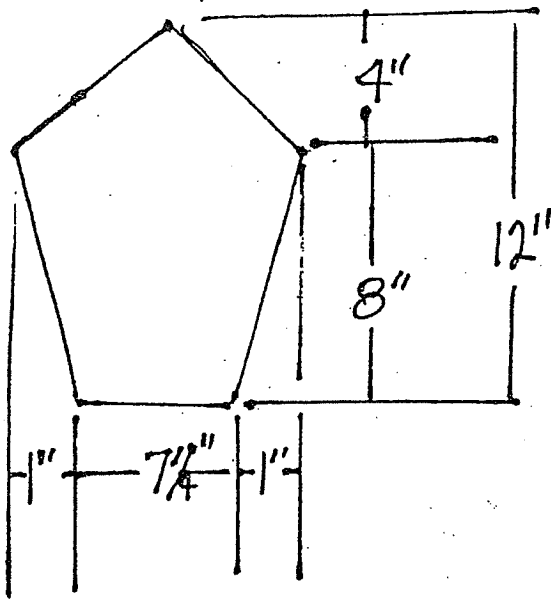


Ky Changers
2002
Birdhouse

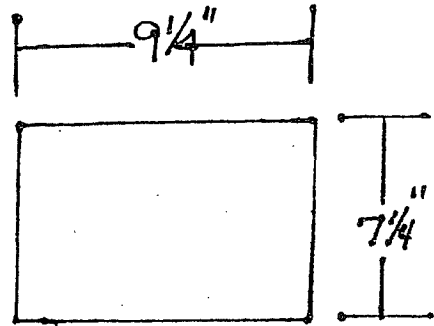


Ky Changers 2002 Birdhouse

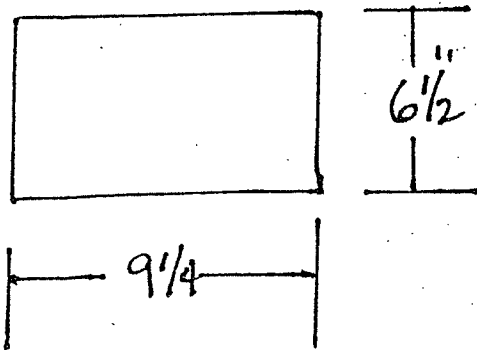
FRONT & BACK



Bottom



Sides 1 & 2



Top 1 & 2

